

PRODUCT INFORMATION PACKET

Model No: 5KC46LN0153X
Catalog No: C176
3/4,1725,DP,56,1/60/115/230
General Purpose Motors



Regal and Marathon are trademarks of Regal Rexnord Corporation or one of its affiliated companies.
©2021 Regal Rexnord Corporation, All Rights Reserved. MC017097E

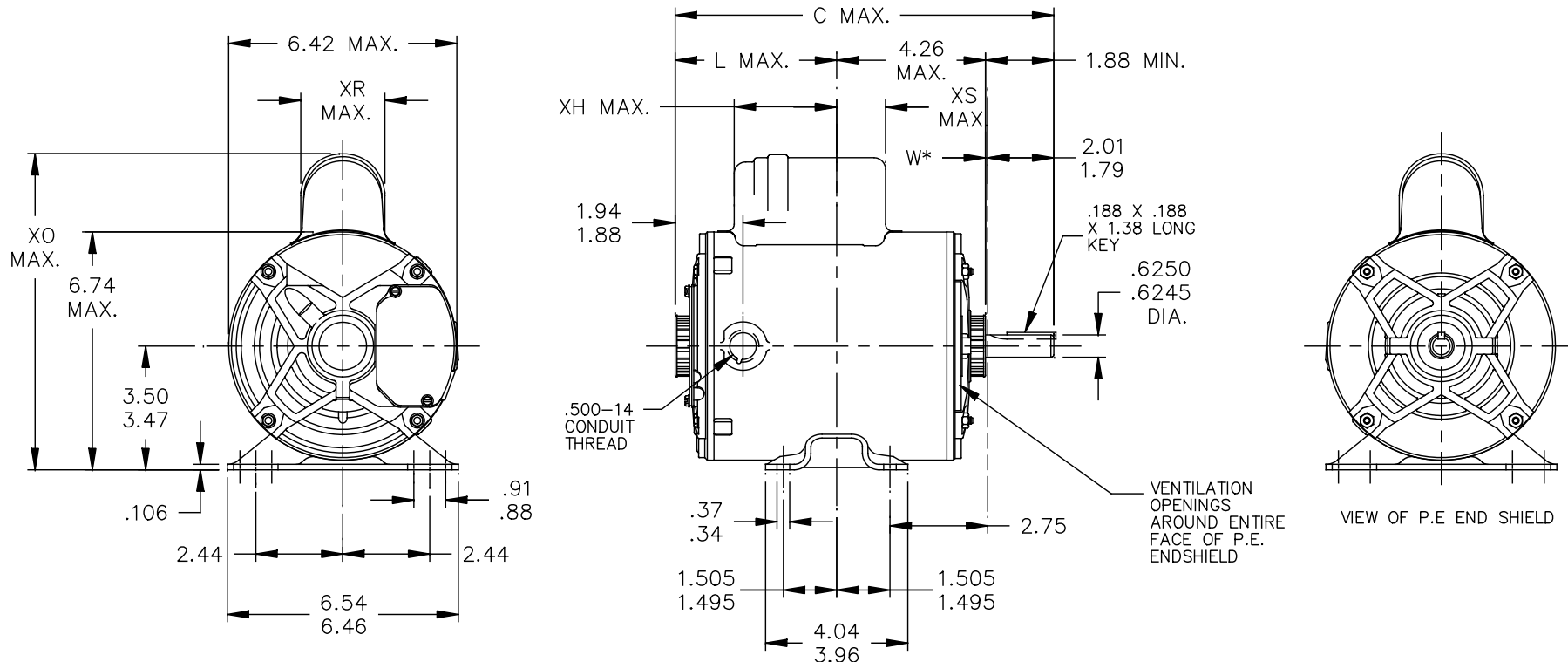
Nameplate Specifications

Output HP	0.75 Hp	Output KW	0.56 KW
Frequency	60 Hz	Voltage	115/208-230 V
Current	13.2 A	Speed	1725 rpm
Service Factor	1.25	Phase	1
Efficiency	0 %	Power Factor	0
Duty	Continuous	Insulation Class	B
KVA Code	M	Frame	56
Enclosure	Drip Proof	Thermal Protection	AUTO
Ambient Temperature	40 °C	Drive End Bearing Size	6203
Opp Drive End Bearing Size	6203	UL	Recognized
CSA	Y	CE	N
Number of Speeds	1		

Technical Specifications

Electrical Type	Capacitor start(CSIR)	Starting Method	SM
Poles	4	Rotation	Counterclockwise/Clockwise
Mounting	Rigid Base	Motor Orientation	Any
Drive End Bearing	Ball	Opp Drive End Bearing	Ball
Overall Length	10.78 in	Frame Length	6.55 in
Shaft Extension	.625 X 1.88 - .188 X .188 KEY in		
Connection Drawing	52A105383AA	Outline Drawing	52A107630P1

This is an uncontrolled document once printed or downloaded and is subject to change without notice. Date Created:10/12/2021



W* IS A VARIABLE CLEARANCE DUE TO VARIATIONS IN PARTS AND ASSEMBLY.

10	KC	49	56	13.13	7.06	3.98	8.62	2.08	1.62	8.99	5	KC	49	56	11.91	5.75	4.16	8.94	2.40	2.12	7.68
9	KC	49	56	11.82	5.75	3.84	8.24	1.58	1.76	7.68	4	KC	49	56	10.38	4.22	2.63	8.94	2.40	1.91	6.15
8	KC	49	56	11.91	5.75	4.16	8.63	2.10	2.12	7.68	3	KC	49	56	11.38	5.22	3.63	8.94	2.40	2.12	7.15
7	KC	48	56	12.66	6.50	4.16	8.94	2.40	2.12	8.43	2	KC	42	56	9.95	3.79	2.20	8.94	2.40	2.34	5.72
6	KC	49	56	11.48	5.22	3.58	8.26	1.60	2.11	7.15	1	KC	46	56	10.78	4.62	2.97	8.94	2.40	2.70	6.55
P	TYPE	RBC SIZE	NEMA FR	"C"	"L"	"XH"	"XO"	"XR"	"XS"	MIN. SHELL	P	TYPE	RBC SIZE	NEMA FR	"C"	"L"	"XH"	"XO"	"XR"	"XS"	MIN. SHELL

										TOLERANCES UNLESS SPECIFIED												DRAWN MDP 10/23/90	
										DEC.	INCHES											CHK	
										.X	±0.1											APPD MDP 04/11/96	
13	P1 DIM.	XS WAS 1.51 AND XH WAS 3.03, ECR-0108357			KK	3/29/16	KK	.XX	±0.02		TITLE OUTLINE GENERAL PURPOSE MOTOR - BALL BEARING - WELDED BASE										SCALE 1=1		
12	ADDED PART #10 PER SAMPLE DS 13 - 0960	PVR 02/26/13			RBG	.XXX	±0.005		REF														
11	ADDED PART #9 PER ISO7-0912	MAD 05/01/07				.XXXX	±0.0005		MAT'L.		FMF												
NO.	REVISION				BY & DATE	CHK	ANG	±1.0		FINISH										PREV			
										RFP	CAD FILE 52A107630				SIZE	DRAWING NO. 52A107630				REV.	13		
										DIST					A								

THIS DRAWING IN DESIGN AND DETAIL IS OUR PROPERTY AND MUST NOT BE USED EXCEPT IN CONNECTION WITH OUR WORK ALL RIGHTS OF DESIGN AND INVENTION ARE RESERVED THIS IS AN ELECTRONICALLY GENERATED DOCUMENT - DO NOT SCALE THIS PRINT

EITHER ROTATION, DUAL VOLTAGE, TYPE KC OR KH, WITH THERMAL PROTECTION



NOTE #1 - START CAP & J9 WHEN SPECIFIED (*). IF NO CAPACITOR (KH), CONNECT T5 DIRECTLY TO SWITCH (A). WHEN MORE THAN ONE CAPACITOR IS USED, CONNECT IN PARALLEL.

NOTE #2 - TO REVERSE ROTATION, INTER CHANGE RD(T8) AND BLK(J9-KC OR T5-KH) LEADS.

SWITCH REF. - 115D958AB	CONNECTION LABEL	CCW ROTATION: NP52X332051AA
		CW ROTATION: NP52X332051AC

NO.	REVISION	BY & DATE	CHK	TOLERANCES UNLESS SPECIFIED		FINISH	DRAWN	M.D.P	DATE			
				DEC.	INCHES							
				.X	±0.1				06/29/87			
				.XX	±0.02							
5	ADDED CONNECTION LABEL PER ECO-0030779	UD 02/06/13	PKG	.XXX	±0.005							
4	UPDATED PER ISO7-0150	MD 01/23/07		.XXXX	±0.0005	MAT'L.						
				ANG	±1.0							
THIS DRAWING IN DESIGN AND DETAIL IS OUR PROPERTY AND MUST NOT BE USED EXCEPT IN CONNECTION WITH OUR WORK. ALL RIGHTS OF DESIGN AND INVENTION ARE RESERVED. THIS IS AN ELECTRONICALLY GENERATED DOCUMENT - DO NOT SCALE THIS PRINT							RFP	CAD FILE	52A105383AA	SIZE	DRAWING NO.	REV.
							DIST			A	52A105383AA	5



TITLE CONNECTION DIAGRAM
30 FRAME SWITCH REDESIGN